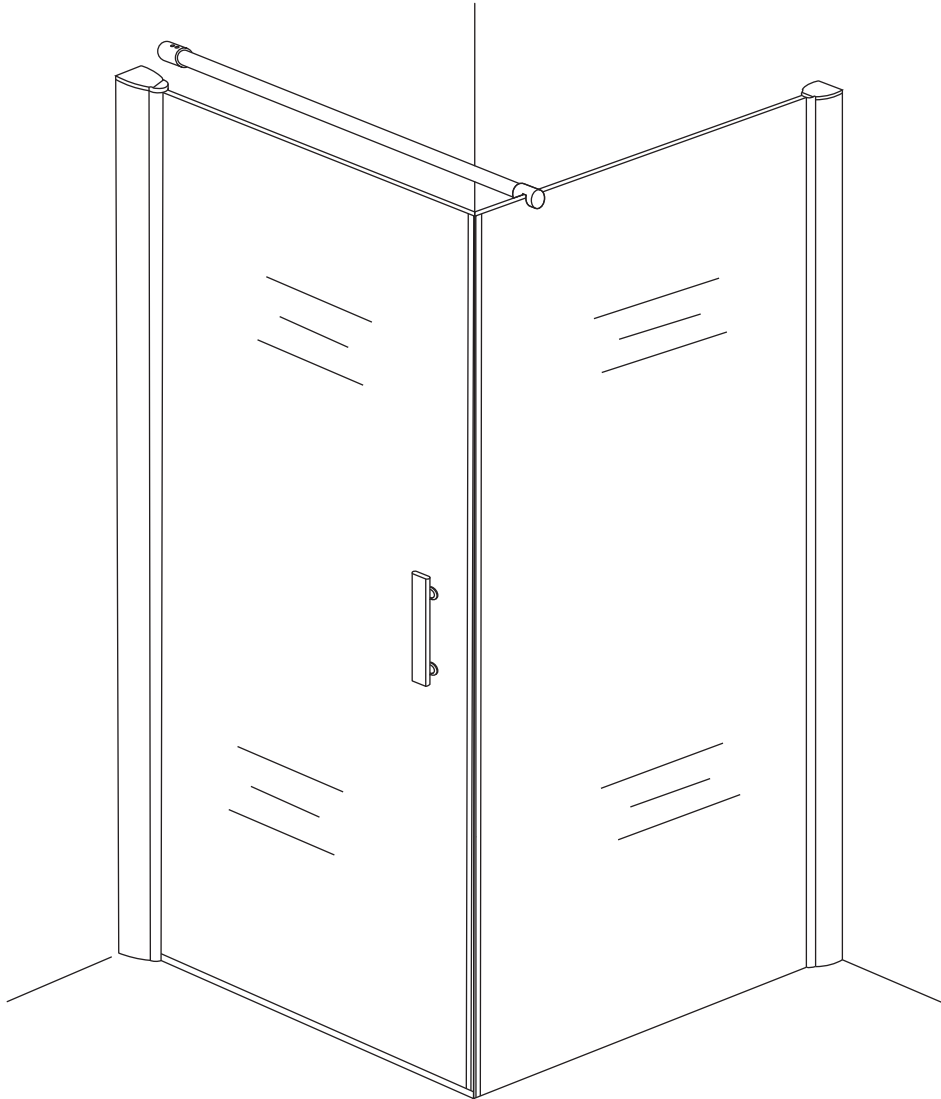


INSTALLATION MANUAL

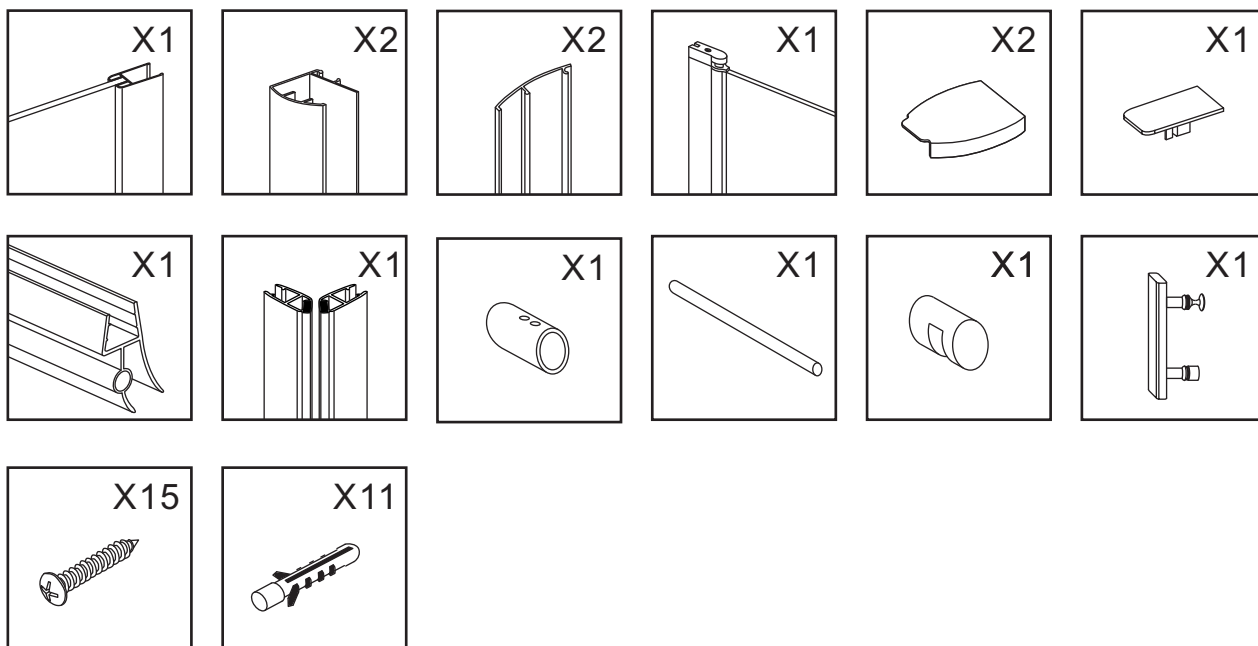
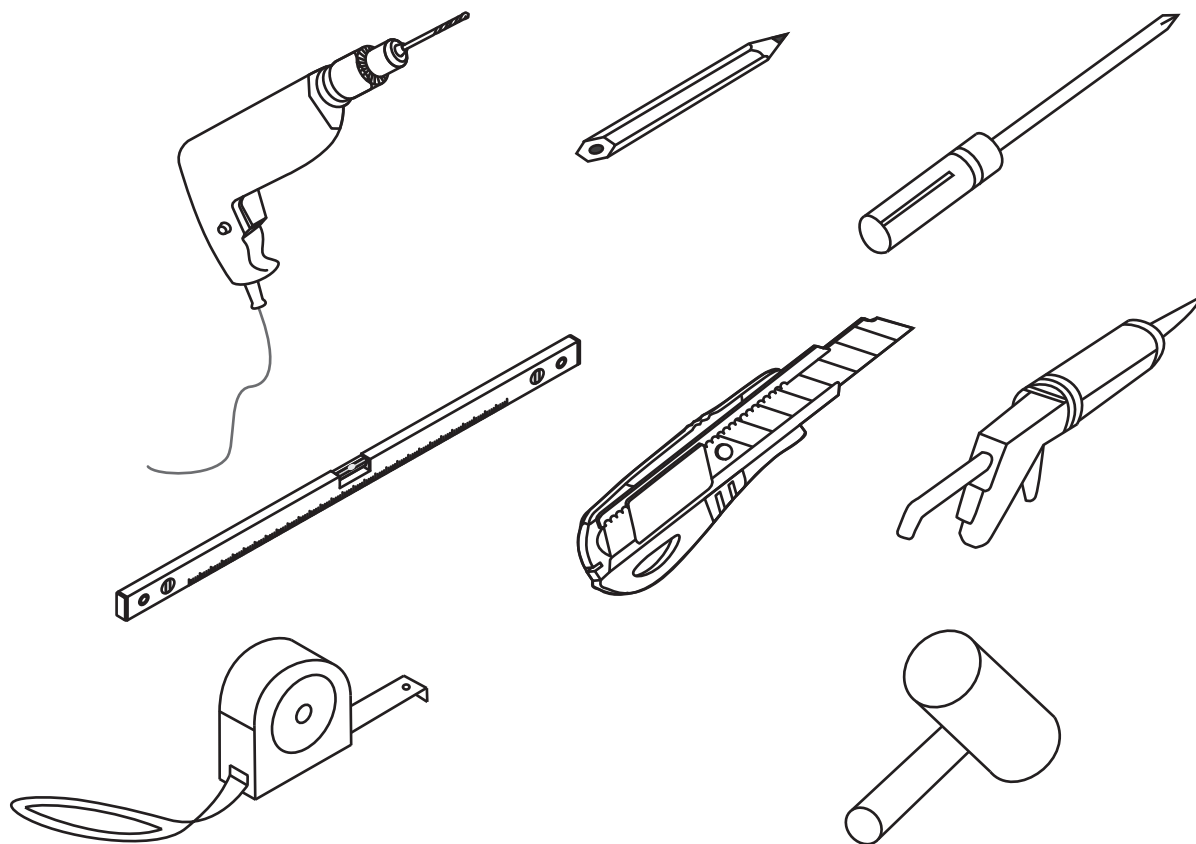


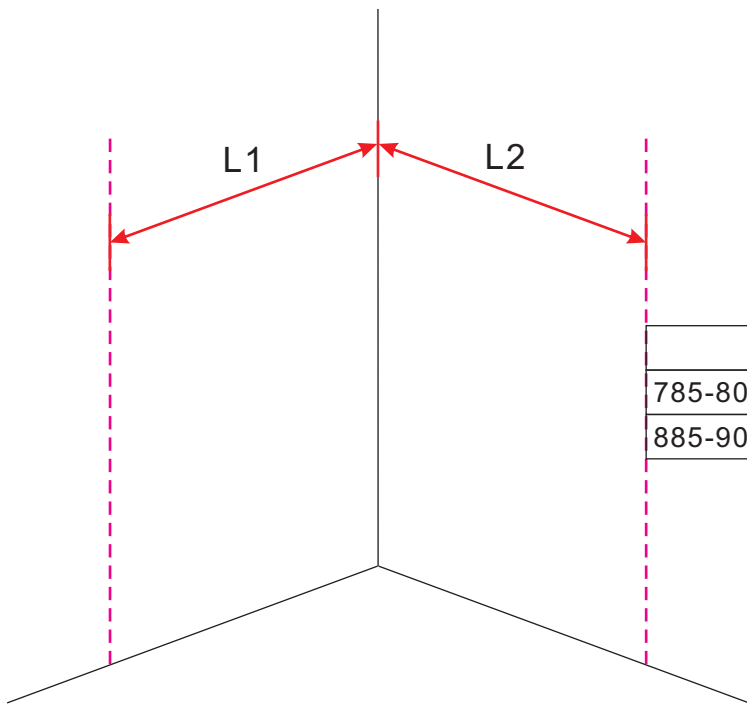
BL-S017F

785-800x785-800x1900mm

885-900x885-900x1900mm

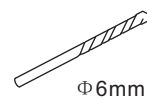
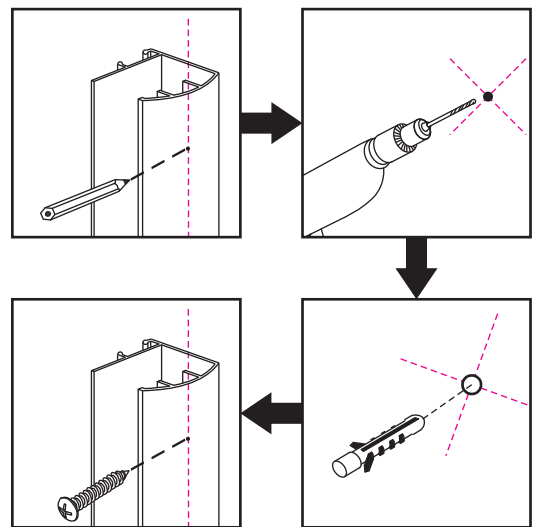
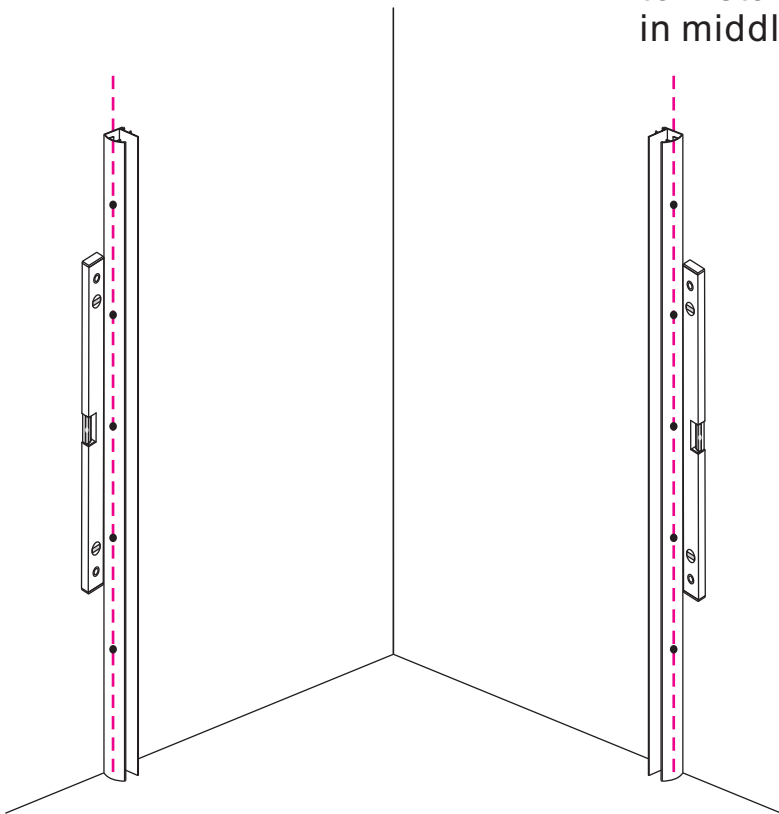
RoHS **CE** ISO9001:2008



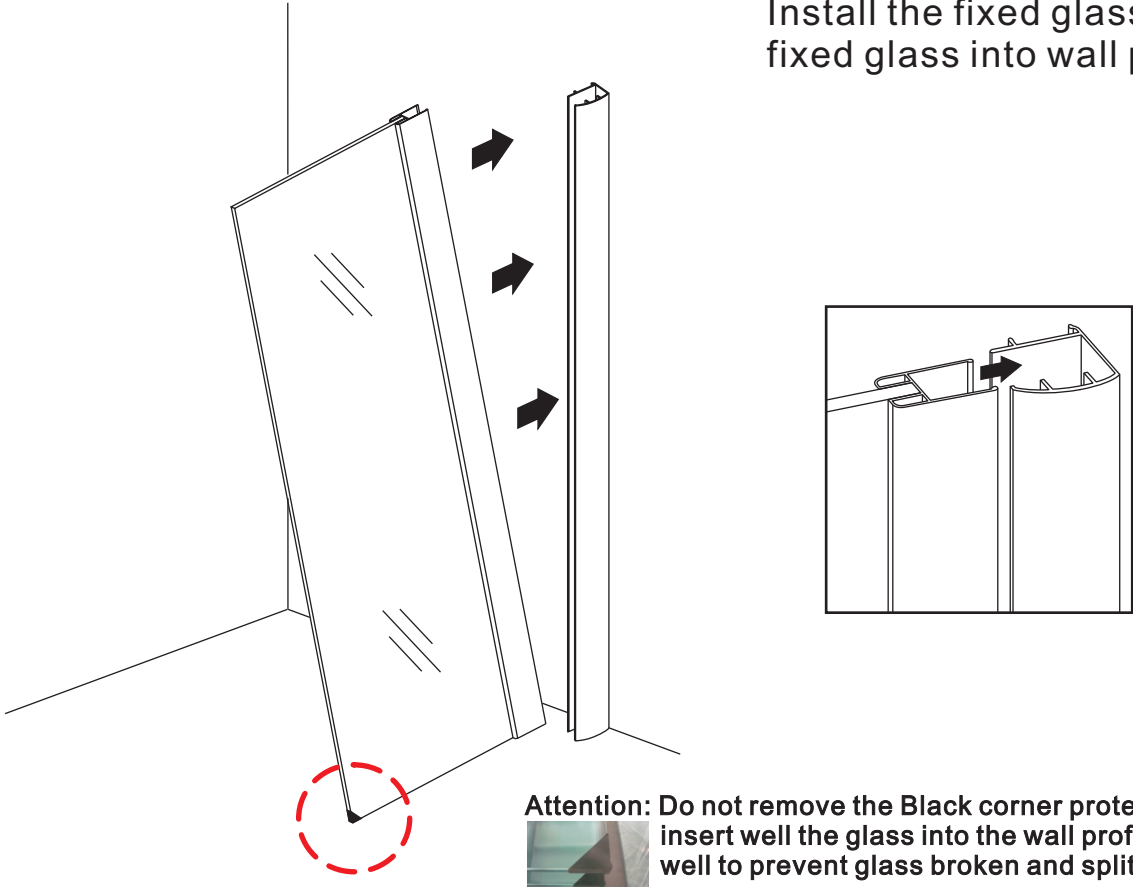


SIZE	L1	L2
785-800x785-800x1900	785	785
885-900x885-900x1900	885	885

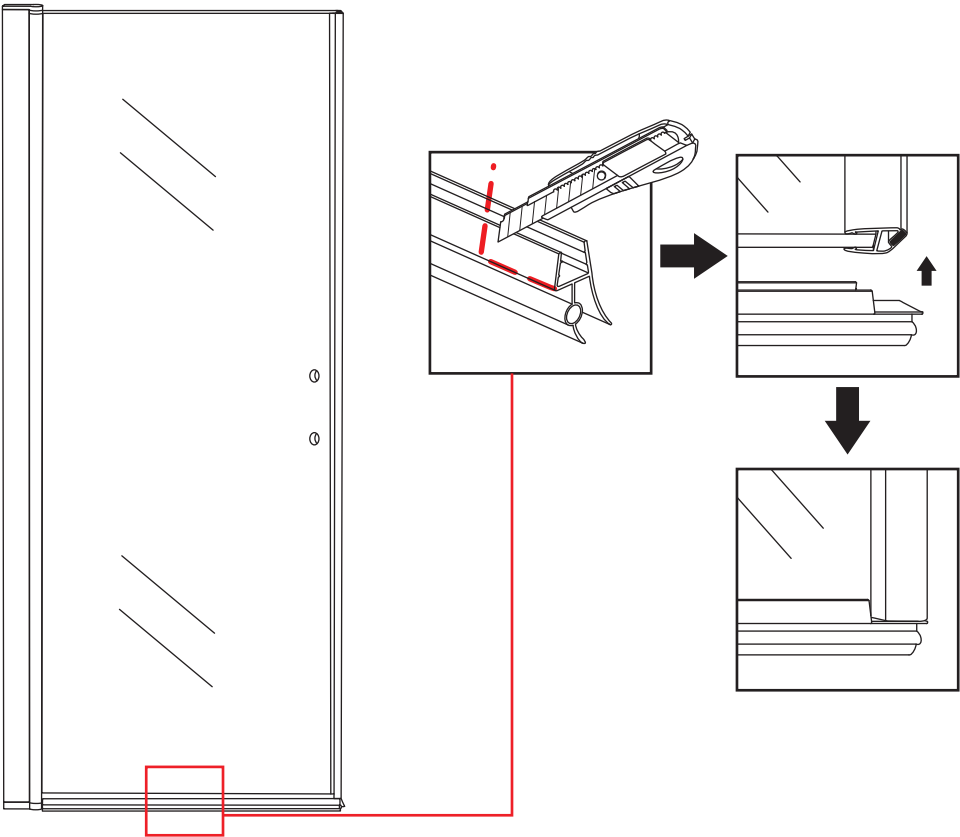
Install the wall profile: according the line to install the profile notice: put the profile in middle of line.



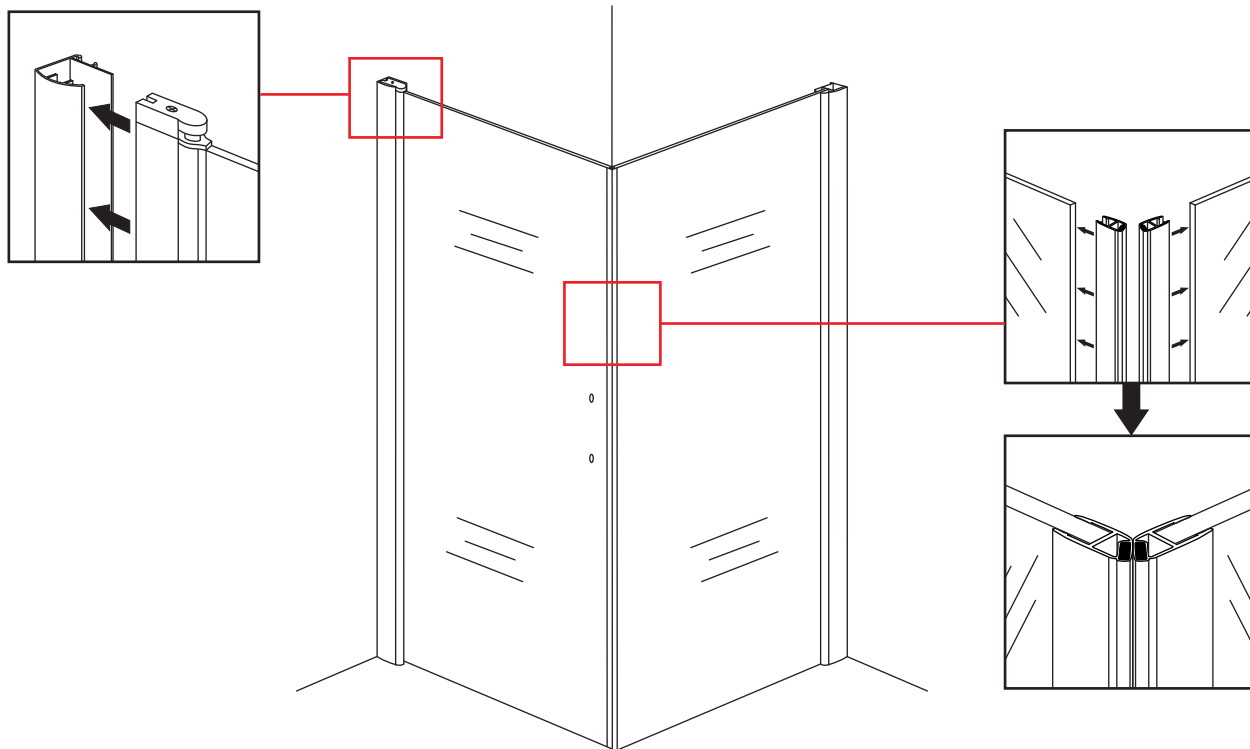
Install the fixed glass: insert the fixed glass into wall profile.



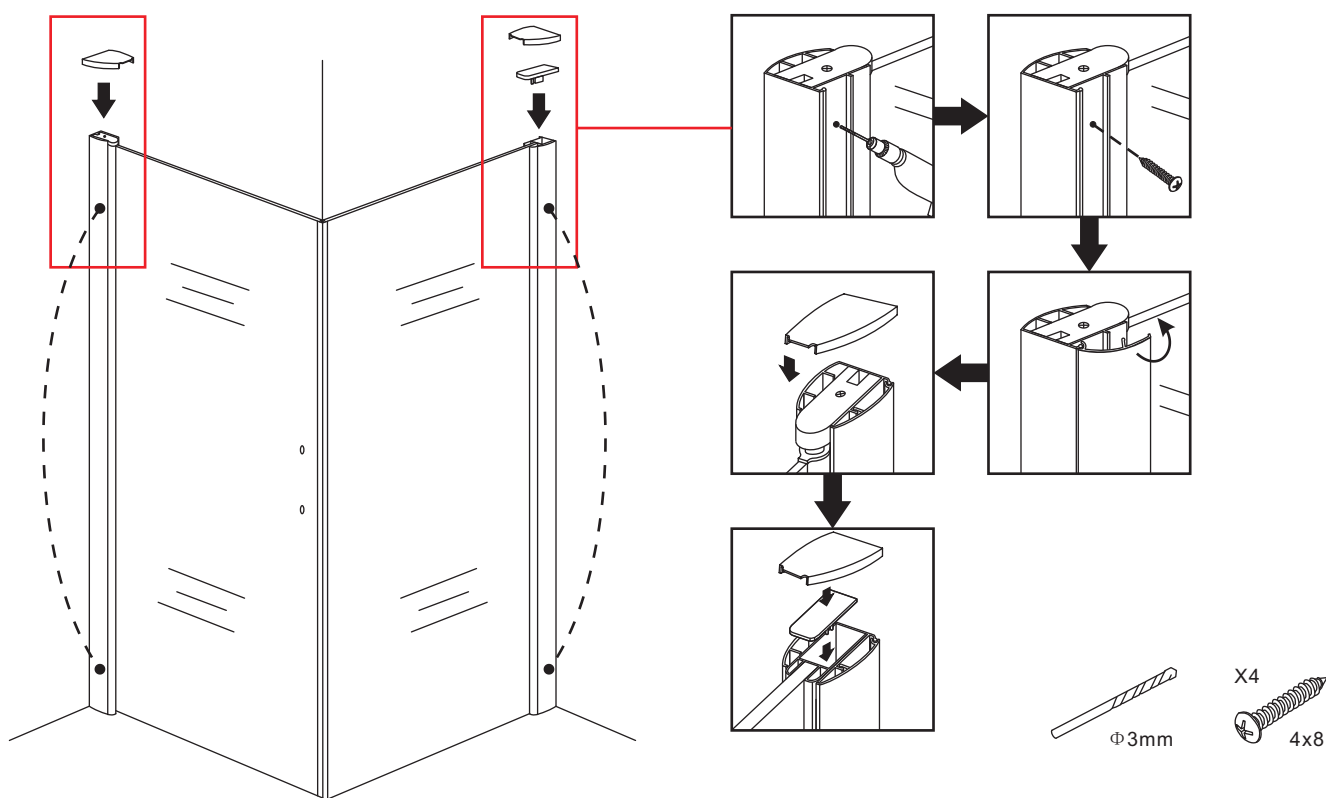
Install the water-proof gasket.



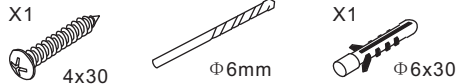
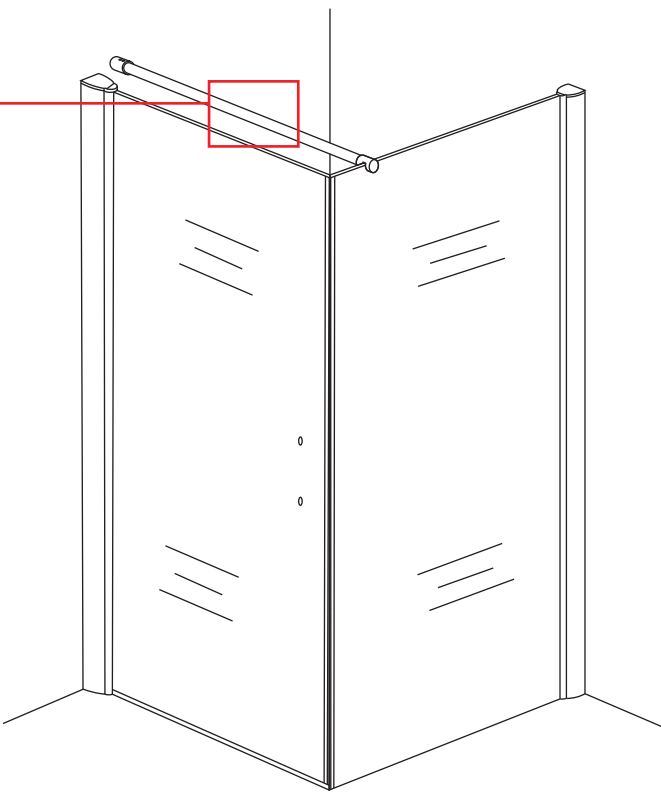
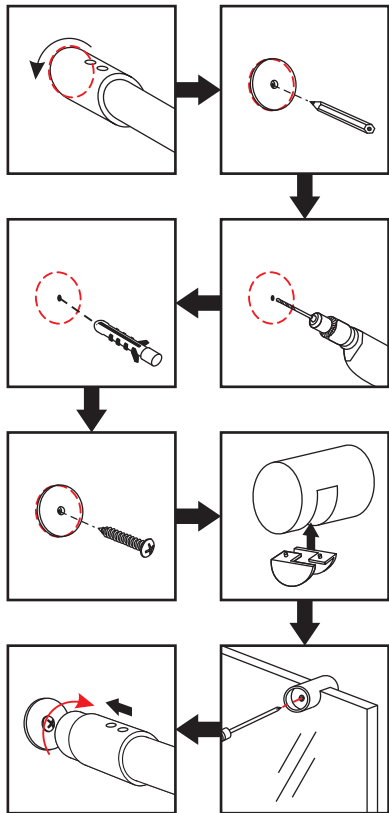
Install the door glass: insert the door glass into wall profile then install the magnetic stripe.



Install the decorate profile: install the connect buckle, insert the decorate profile into buckle as picture shows, then install the top decorate cap.



Install the support bar : keep the bar and top of glass on level, draw line then install it.



1. Install the handle.
2. Take glue: please keep dry until 24 hour.

